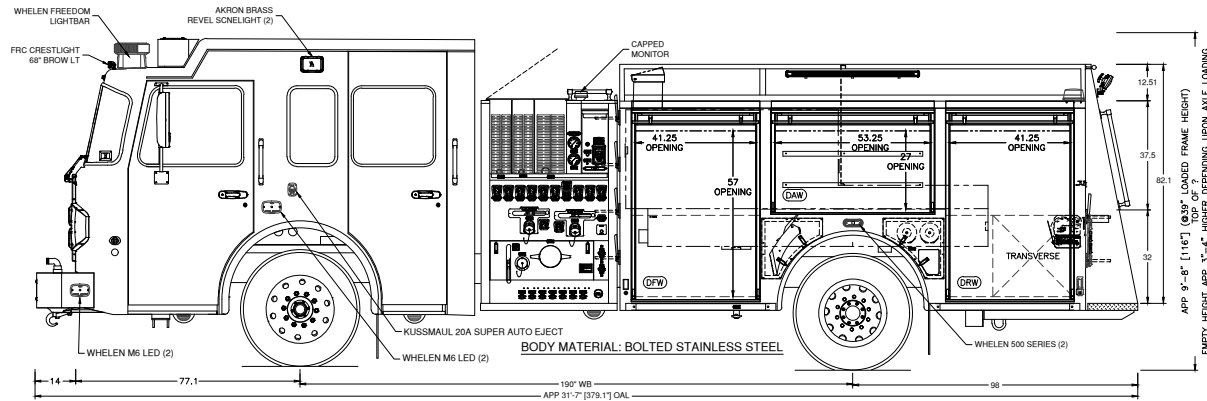
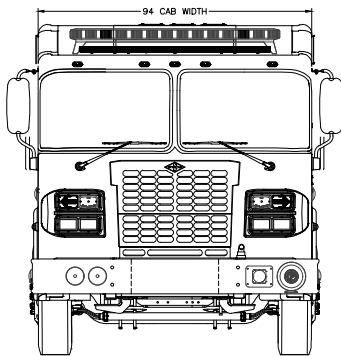
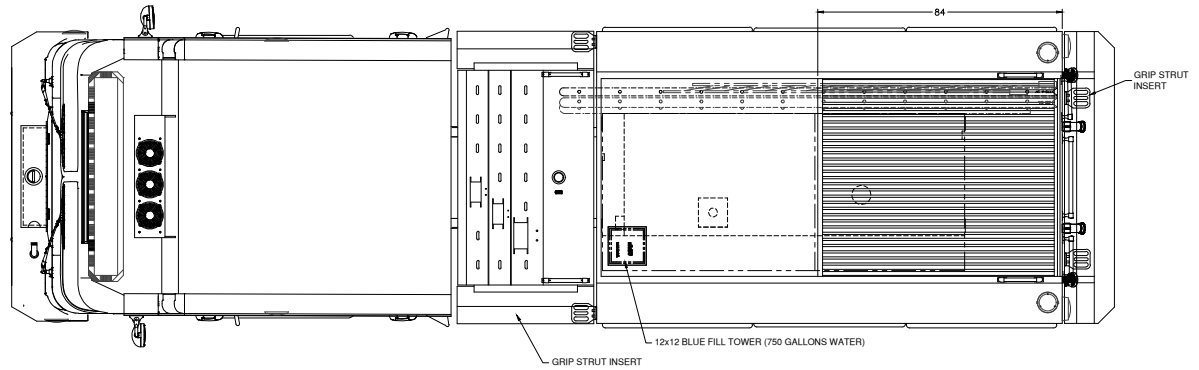


COMP.	HEIGHT	WIDTH	USABLE DEPTH		DIVIDE HEIGHT	FT ³
			UPPER	LOWER		
DFW	67.12	47.88	14	26	28	35.35
DAW	37.12	63.75	14	-	-	19.18
DRW	67.12	44.00	14	26	28	32.49
PFW	67.12	47.88	14	26	28	35.35
PAW	37.12	63.75	14	-	-	19.18
PRW	67.12	44.00	14	26	28	32.49
R-1	28.00	44.00	-	30	-	33.62
HOSEBED	40	68	-	84	-	98.68
FRONT X-LAY	25	7.5	-	73.75	-	8.00
MIDDLE X-LAY	25	7.5	-	73.75	-	8.00
REAR X-LAY	25	11	-	73.75	-	11.70



NOTE:
DIMENSIONS SHOWN ARE APPROXIMATE AND ARE SUBJECT TO MINOR CHANGE AS MAY BE FOUND NECESSARY DURING CONSTRUCTION. MINOR DETAILS MAY NOT BE SHOWN. IF DISCREPANCIES EXIST BETWEEN THIS DRAWING AND THE WRITTEN SPECIFICATIONS PROVIDED BY TOYNE, THE WRITTEN SPECIFICATIONS SHALL PREVAIL.

ORIGINAL DRAWING	DATE	CHASSIS:	SPARTAN METROSTAR EMFD 10" RR	SCALE:	1/66	SHEET:	A
ISR	19APL21	WB-CA-AF:	190"-130"-47" D17	CITY:	WOONSOCKET		
C/O 1-2-3	16JUNE21	BODY MATL:	BOLTED STAINLESS STEEL	STATE:	RI		
		PUMP:	HALE QMAX 1500	DLR:	CSS		
		TANK:	750 "L" UPF POLY-TANK III	CAD:	GROSSMAN		
		FOAM SYSTEM:	N/A	DATE:	11 NOVEMBER 2020		
		GENERATOR:	N/A	FILE:	WOONSOCKET20-A		

Toyne
Breda to take the call

BREDA, IA 51436
800-648-3358
WWW.TOYNE.COM

WOONSOCKET
CUSTOM PUMPER