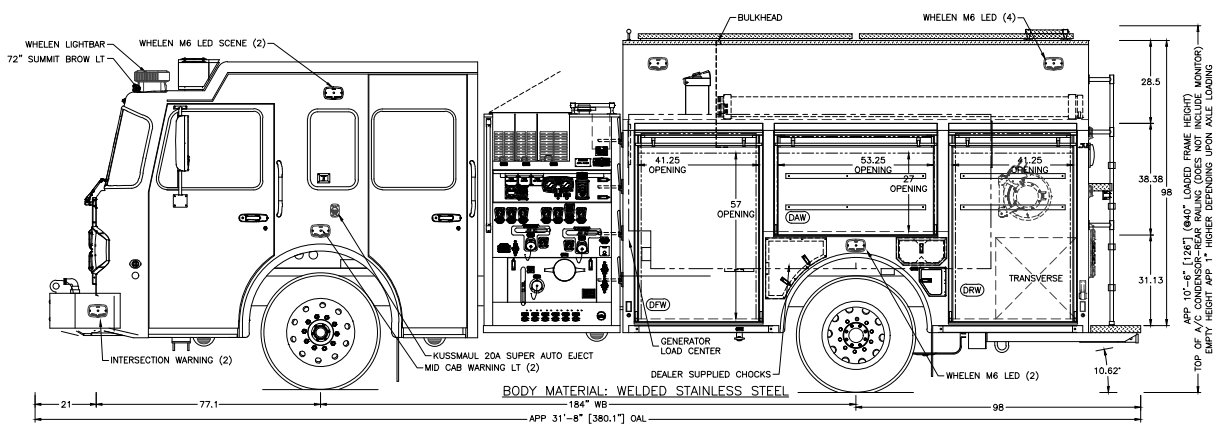
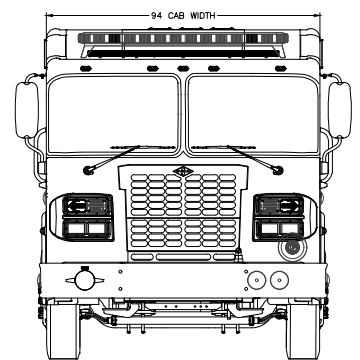
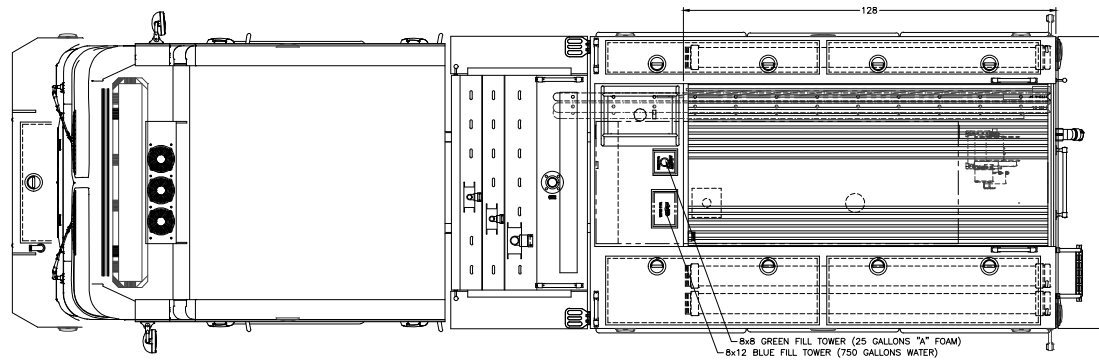


TREADBRITE TEXTURE NOT SHOWN IN TOP VIEW

REFERENCE SCALE IN INCHES

COMP.	HEIGHT	WIDTH	USABLE UPPER	DEPTH LOWER	DIVIDE	HEIGHT	FT'
DFW	67.12	47.88	-	26	-	48.36	
DAW	37.12	63.75	-	26	-	35.61	
DRW	67.12	44.00	-	26	-	44.44	
FRW	67.12	47.88	14	26	28	35.35	
PAW	67.12	63.75	14	-	-	19.18	
PRW	67.12	44.00	14	26	28	32.49	
R-1	58.62	44.00	-	30	-	44.77	
DR COFFIN	17.5	26	-	156	-	41.07	
PS COFFIN	17.5	14	-	156	-	22.11	
HOSEBED	26	56	-	128	-	107.85	
FRONT X-LAY	16	7.5	-	73.75	-	5.12	
MIDDLE X-LAY	16	7.5	-	73.75	-	5.12	
REAR X-LAY	16	11	-	73.75	-	7.51	



APP 10'-6" [1.98'] (640" LOADED FRAME HEIGHT) TOP OF A/C CONDENSER-REAR RAILING (DOES NOT INCLUDE MONITOR) EMPTY HEIGHT APP 1" HIGHER DEPENDING UPON AXLE LOADING

NOTE:
DIMENSIONS SHOWN ARE APPROXIMATE AND ARE SUBJECT TO MINOR CHANGE AS MAY BE FOUND NECESSARY DURING CONSTRUCTION. MINOR DETAILS MAY NOT BE SHOWN. IF DISCREPANCIES EXIST BETWEEN THIS DRAWING AND THE WRITTEN SPECIFICATIONS PROVIDED BY TOYNE, THE WRITTEN SPECIFICATIONS SHALL PREVAIL.

ORIGINAL DRAWING	7MAY19	CHASSIS:	SPARTAN METROSTAR MFD 10" RR	SCALE:	1/66	SHEET:	A
		WB-CA-AF:	184"-130"-47" D17	CITY:	ATHOL		
		BODY MATL:	WELDED STAINLESS STEEL	STATE:	MA		
		PUMP:	WATEROUS CSU 1500	DLR:	CSS		
		TANK:	1000/25 UPF POLY-TANK III	CAD:	GROSSMAN		
		FOAM SYSTEM:	FOAM PRO 2001 "A"	DATE:	07 MAY 2019		
		GENERATOR:	HONDA EM5000	FILE:	ATHOL19-A		

ATHOL
CUSTOM PUMPER

BREDA, IA 51436
800-648-3358
WWW.TOYNE.COM